



Available finish:- Stainless Steel

Read these instructions before commencing installation & retain them for future reference.

IP67 12V 0.1W

**Important Information**

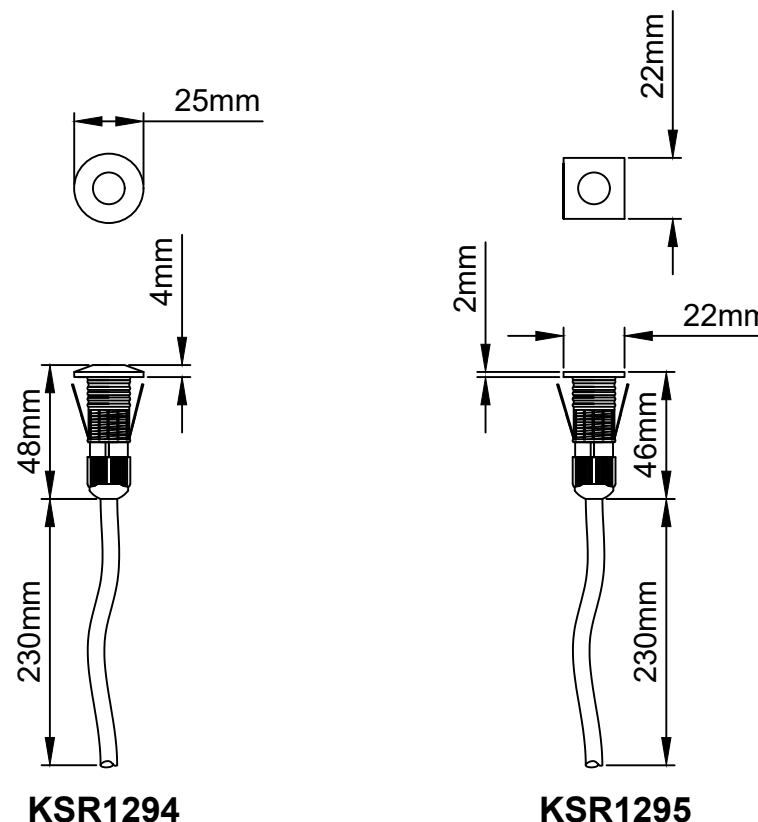
It is recommended that luminaires are installed and fitted by a qualified electrician ensuring the installation complies with current IEE wiring regulations & local building control. These products are designed for connection to a 12V LED driver. Any broken or damaged parts should be replaced as soon as possible. KSR will not accept responsibility for any claims arising from a poor installation.

**General Maintenance**

General maintenance and cleaning should be performed at least quarterly. Clean product outer using a damp cloth, dried and buffed to a shine.

**Installation Procedure**

Ensure mains supply is turned off. Cut a 18mm hole. Connect using a suitable waterproof connector to a LED driver (Red - Positive, Black - Negative). **Please Note: These fittings should only be wired in parallel.** Recommended driver KSRDL283 - up to 20 fittings (Please Note: This is a guide only due to KSR not knowing cable lengths used/Voltage drop of every install). It is down to the installer to calculate cable size required for the runs used and the correct IP rated cable connector used for the installation. Push fitting into hole, turn on supply and test.



**KSR1294**

**KSR1295**

**Lamp Details**

Lamp Cap: N/A  
LED Wattage: 0.1w

