

# Qr LED Range

Fire Rated Downlights



## Product Information

The FireBreak Qr range of IP65 LED downlights are the perfect for downlighting any areas including bathrooms. Included in the range are 3000K, 4000K or triple CCT including versions that you can change the colour kelvin from either a switch on the back or the wall switch. Dimmable as standard using a range of compatible dimmers. Complete with a 3 year warranty for your peace of mind.



## Product Features

- 3 year warranty
- High efficiency
- IP65
- Instant on
- Energy savings up to 90% vs 50W Halogen Lamps
- Life expectancy up to 40,000 hours
- CRI: Ra84
- Dimmable see [www.ksrlighting.com](http://www.ksrlighting.com) for compatible dimmer lists
- Fully tested for 30, 60 and 90 minute fire rated ceilings
- Colour rim options available
- Emergency options available to order
- Tiltable versions
- Heads can be loosely covered in insulation (Driver where applicable must be kept free of insulation)
- Lighting designers can download photometric data from our website

# Product Specification

Product Code	Product Description	Wattage (W)	CCT (K)	Lumens (lm)	CRI (Ra)	Energy Efficiency Class	Protection Class
KSRFRD372	Fire Rated LED Dimmable Downlight	5	3000	483	84	A++	I
KSRFRD373	Fire Rated LED Dimmable Downlight	5	4000	515	84	A++	I
KSRFRD350	Fire Rated LED Dimmable Downlight	8.8	3000	751	84	A+	II
KSRFRD350EM	Fire Rated LED Dimmable Emergency Downlight	8.8	3000	751	84	A+	II
KSRFRD351	Fire Rated LED Dimmable Downlight	8.8	4000	807	84	A+	II
KSRFRD351EM	Fire Rated LED Dimmable Emergency Downlight	8.8	4000	807	84	A+	II
KSRFRD374	Fire Rated LED Triple CCT Dimmable Downlight	7	3000	577	84	A+	I
			4000	652			
			6000	577			
KSRFRD366	Fire Rated LED Triple CCT Auto Dimmable Downlight	10	3000	655	84	A+	II
			4000	736			
			6000	648			
KSRFRD361	Fire Rated LED Dimmable 15° Tilttable Downlight	8.8	3000	705	82	A+	II
KSRFRD361EM	Fire Rated LED Dimmable Emergency 15° Tilttable Downlight	8.8	3000	705	82	A+	II
KSRFRD362	Fire Rated LED Dimmable 15° Tilttable Downlight	8.8	4000	778	81	A+	II
KSRFRD362EM	Fire Rated LED Dimmable Emergency 15° Tilttable Downlight	8.8	4000	778	81	A+	II

Product Code	Circuit Current (A)	Driver (mA)	Power Factor (PF)	In Rush Current
KSRFRD372	0.03	130	0.84	0.21
KSRFRD373	0.03	130	0.84	0.21
KSRFRD350	0.04	200	0.90	0.4
KSRFRD350EM	0.04	200	0.90	0.4
KSRFRD351	0.04	200	0.90	0.4
KSRFRD351EM	0.04	200	0.90	0.4
KSRFRD374	TBC	TBC	TBC	TBC
KSRFRD366	0.04	270	0.90	0.4
KSRFRD361	0.04	200	0.90	0.4
KSRFRD361EM	0.04	200	0.90	0.4
KSRFRD362	0.04	200	0.90	0.4
KSRFRD362EM	0.04	200	0.90	0.4

Nominal voltage	220~240V
Operating frequency	50-60Hz
Ambient temperature range	-20°C~+40°C
Start time	< 0.5 sec
Beam angle	46°
IP rating	65

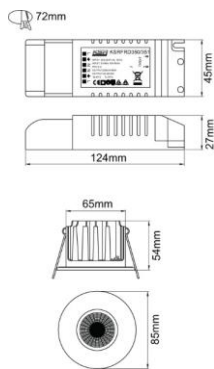
# Standards

BSEN60598-1:2015      Luminaires – Part 1: General requirements and tests

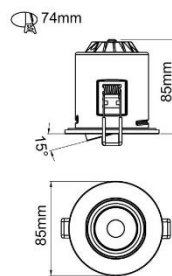
## In Conformity with

LVD	Low voltage directive 2014/35/EU
EMC	Electromagnetic compatibility directive 2014/30/EU
ERP	Energy related products directive 2009/125/EC
RoHS	Restriction of hazardous substances 2011/65/EU
Part E	Acoustic performance
Part B	Fire Safety
Part C	Air & moisture transfer

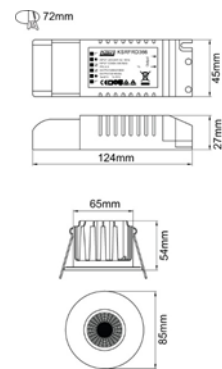
## Product Dimensions



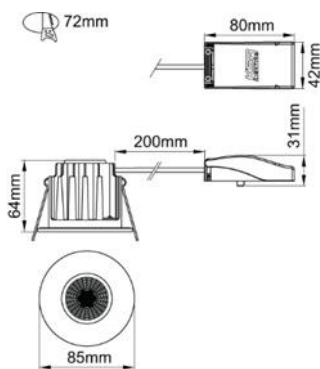
**KSRFRD350-351**



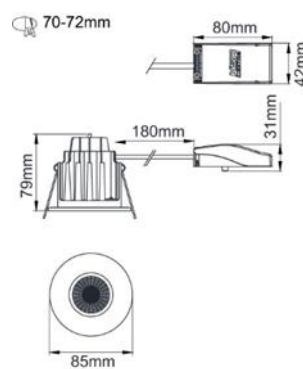
**KSRFRD361-362**



**KSRFRD366**



**KSRFRD372-373**



**KSRFRD374**

KSR Lighting is constantly developing and improving its products. For this reason, all product descriptions in this data sheet are intended as a general guide, and KSR may change specifications from time to time in the interest of product development, without prior notification or public announcement. All descriptions in this data sheet present only general particulars of the goods to which they refer and shall not form part of any contract. Data in this guide has been obtained in controlled experimental conditions. However, KSR Lighting cannot accept any liability arising from the reliance on such data to the extent permitted.