

Read these instructions before commencing installation & retain them for future reference.

IP67   12V 0.6W

Important Information

It is recommended that luminaires are installed and fitted by a qualified electrician ensuring the installation complies with current IEE wiring regulations & local building control. These products are designed for connection to a 12V LED driver. Any broken or damaged parts should be replaced as soon as possible. KSR will not accept responsibility for any claims arising from a poor installation.

General Maintenance

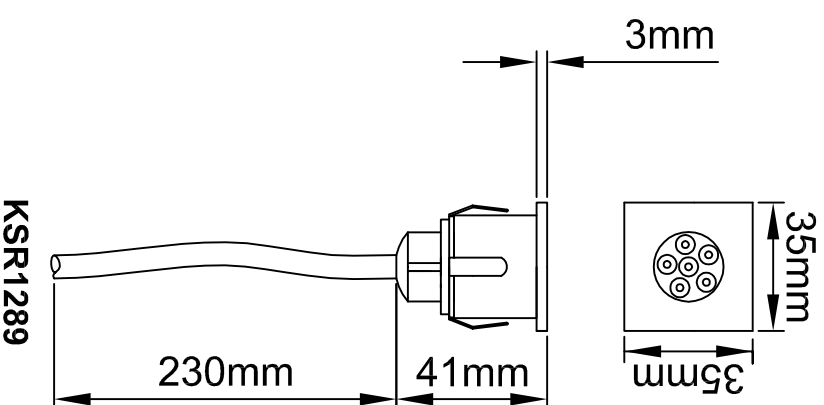
General maintenance and cleaning should be performed at least quarterly. Clean product outer using a damp cloth, dried and buffed to a shine.

Installation Procedure

Ensure mains supply is turned off. Cut a 32mm hole. Connect using a suitable waterproof connector to an LED driver (Red - Positive, Black - Negative). Recommended drivers KSRDL175 - up to 15 fittings, KSRDL176 - up to 25 fittings (Please Note: This is a guide only due to KSR not knowing cable lengths used/Voltage drop of every install). Push fitting into hole, turn on supply and test.



Available finish:- Stainless Steel



KSR1289

Lamp Details

Lamp colours: Warm White, Cool White, Blue
LED Wattage: 0.6w

KSR
LIGHTING

Product Information

KSR Lighting After-sales: 023 92 674343
E-mail: info@ksr-lighting.co.uk