

## Installation Sheet

## KSR1293

Read these instructions before commencing installation & retain them for future reference.

IP67   12V 0.6W

### Important Information

It is recommended that luminaires are installed and fitted by a qualified electrician ensuring the installation complies with current IEE wiring regulations & local building control. These products are designed for connection to a 12V LED driver. Any broken or damaged parts should be replaced as soon as possible. KSR will not accept responsibility for any claims arising from a poor installation.

### General Maintenance

General maintenance and cleaning should be performed at least quarterly. Clean product outer using a damp cloth, dried and buffed to a shine.

### Installation Procedure

Ensure mains supply is turned off. Cut a 30mm hole. Connect using a suitable waterproof connector to a LED driver (Red - Positive, Black - 3Negative). Recommended drivers KSRDL283 - up to 15 fittings, KSRDL284 - up to 25 fittings (Please Note: This is a guide only due to KSR not knowing cable lengths used/Voltage drop of every install). Push fitting into hole, turn on supply and test.

Please note that LED drivers are an inductive load and as such have higher inrush currents. It may be necessary to uprate your MCBs to prevent tripping of the circuit.

### Lamp Details

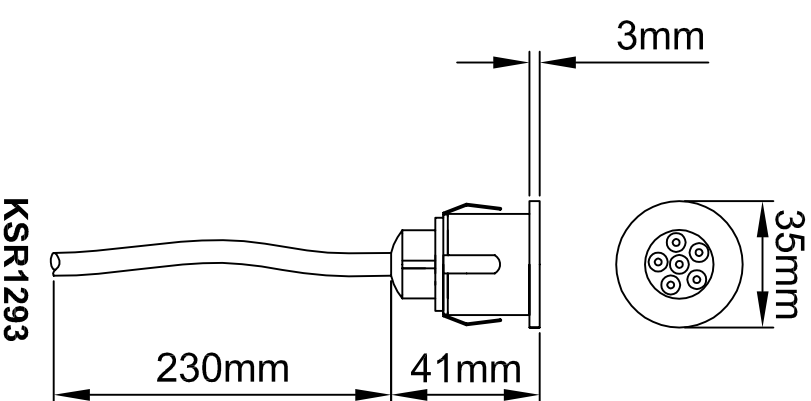
Lamp Cap: N/A  
LED Wattage: 0.6W

## Caballo



## IP67 Wall/Ground LED

Available finish:- Stainless Steel



KSR1293

**KSR**  
LIGHTING

Product Information

KSR Lighting After-sales: 023 92 674343  
E-mail: [info@ksr-lighting.co.uk](mailto:info@ksr-lighting.co.uk)