

Read these instructions before commencing installation & retain them for future reference.

IP67  **CE**  **12V 0.1W**

Important Information

It is recommended that luminaires are installed and fitted by a qualified electrician ensuring the installation complies with current IEE wiring regulations & local building control. These products are designed for connection to a 12V LED driver. Any broken or damaged parts should be replaced as soon as possible. KSR will not accept responsibility for any claims arising from a poor installation.

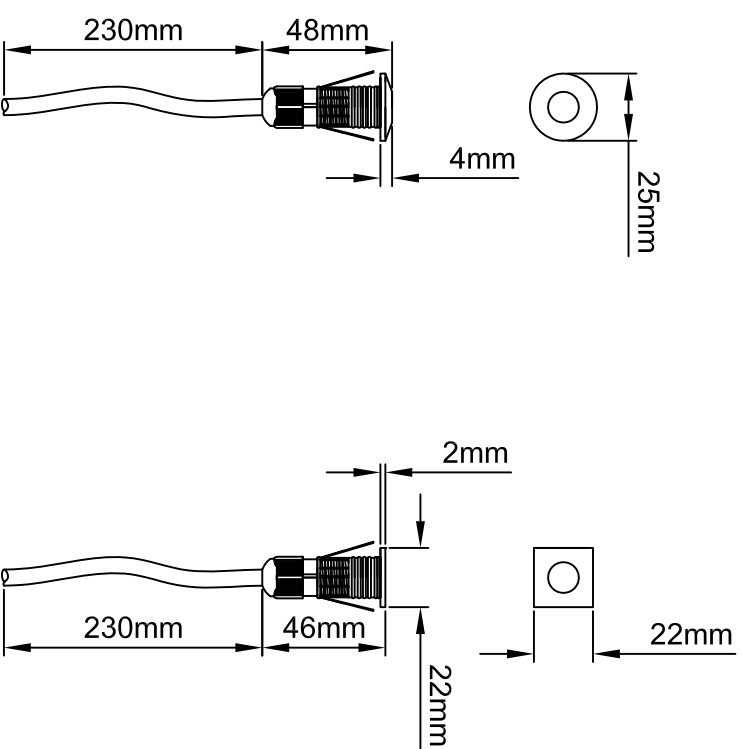
General Maintenance

General maintenance and cleaning should be performed at least quarterly. Clean product outer using a damp cloth, dried and buffed to a shine.

Installation Procedure

Ensure mains supply is turned off. Cut a 18mm hole. Connect using a suitable waterproof connector to a LED driver (Red - Positive, Black - Negative). **Please Note: These fittings should only be wired in parallel.** Recommended drivers KSRDL175 - up to 20 fittings, KSRDL176 - up to 30 fittings (Please Note: This is a guide only due to KSR not knowing cable lengths used/Voltage drop of every install). It is down to the installer to calculate cable size required for the runs used. Push fitting into hole, turn on supply and test.

Available finish:- Stainless Steel



KSR1294

KSR1295

Lamp Details

Lamp Cap: N/A
LED Wattage: 0.1W



Product Information

KSR Lighting After-sales: 023 92 674343
E-mail: info@ksr-lighting.co.uk