



Read these instructions before commencing installation. Please give these instructions to the owner/occupier after installation to retain for future reference/maintenance.

IP65 240V~50Hz 8.8W

These fittings are Class II and are not required to be Earthed

Important Information

It is recommended that these luminaires are installed and fitted by a qualified electrician ensuring the installation complies with current IEE wiring regulations & local building control. These products are designed for connection to a 240V~50Hz supply.

Any faulty, broken or damaged luminaires should be replaced immediately.

KSR will not accept responsibility for any claims arising from a poor installation.

Please Note: The limited warranty shall be deemed null and void in the following circumstances: Failure by the installer, end user or any third party to exercise caution to protect any covered product or part from outside damage, adverse temperature (normal operating ambient temperature -20 ~ +40°C), humidity conditions, fluctuations in the electrical system or physical abuse as well as failure related to workmanship in the installation of the products or parts.

Important User Advice

Always switch off mains supply before servicing.

This luminaire is suitable for indoor use only and should not be fitted to damp or wet surfaces such as freshly plastered or painted ceilings.

Do not use Megger or similar high voltage instruments. Due to the fact this luminaire contains electronic components that maybe damaged by high test voltages, they must be disconnected from the circuit before testing.

To prevent damage to the driver, do not mix with conventional magnetic ballasts on the same electrical circuit.

At the end of life the luminaire is classed as WEEE under directive 2014/30/EU and should be disposed of in accordance with local legislation

Installation Procedure

KSR recommends that a sample hole is cut in some scrap material to familiarise yourself with the installation. Once you are completely satisfied: Safely isolate the mains supply.

Locate the area's suitable to install these luminaires.

Cut a 72mm round hole in the ceiling and ensure sufficient ceiling void without infringing on joists, water pipes or electrical cables.

Connect the mains supply to the LED Driver (Blue - Neutral, Brown - Live). Earth terminals are provided for earth continuity only.

The LED driver allows for mains loop in/loop out connections, if not looping through either of the L,E & N inputs can be used.

Press springs back and push luminaire body into aperture.

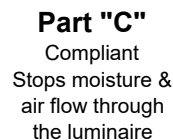
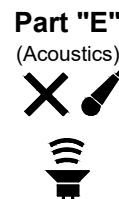
This luminaire is suitable for installations where vapor permeable membranes are installed.

Fit this product as per illustration shown in Fig.1

If you are installing one of the KSR detachable rims remove the standard white rim by pulling the trim off of the main fitting, do not twist the trim and attach new trim by pushing and snapping it into place. Ensure there is adequate free air ventilation around the driver. The head unit can be loosely covered in mineral wool insulation.

Turn on the mains supply to test the luminaire.

*Please note: Depending on the amount of Qr10 fittings on a circuit you may have to upgrade the breaker to a 'C' or 'D' type due to the way electronic LED drivers start up with higher inrush currents compared to halogen lighting. If dimming see the recommended dimmer list at www.ksrlighting.com providing information on the latest compatible dimmers, any other questions please call our sales office on 023 92 674343.



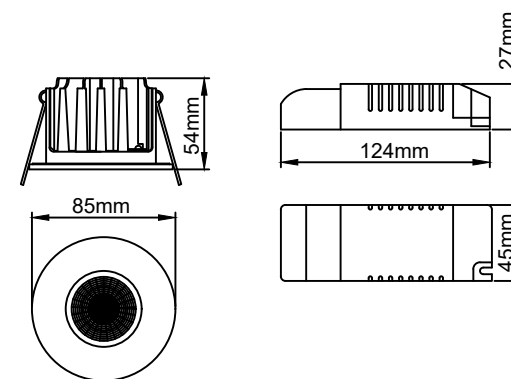
Luminaire suitable for all timber joist ceiling variants up to 90 minutes.

90 Minute fire rating

Approved to:- BS476 Part 21

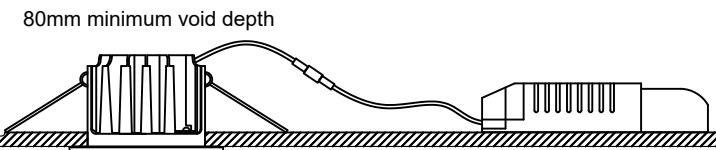
Building Regulations Document B2 determines the ceiling type that is required depending on the type of building under construction.

The ceiling types are designed to provide protection to the floor above in the case of fire for a duration as specified by the document. Using KSR's Fire-Rated downlights ensures that this specification is maintained even when downlights are installed in the ceiling.



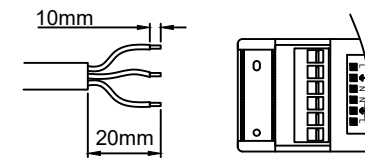
KSRFRD350 & KSRFRD351

Fig. 1



Installer Note:

To ensure a good connection strip back 10mm of insulation and push the cable firmly into the terminal block.



	ØRim Size	ØCut out	Void Depth Req'd	LED Wattage/ Colour/Lumens
KSRFRD350	85mm	72mm	80mm	8.8W - 3000K (751 lumens)
KSRFRD351	85mm	72mm	80mm	8.8W - 4000K (807 lumens)

The light source of this luminaire is not replaceable; when the light source reaches its end of life the whole luminaire shall be replaced



KSR Lighting Aftersales: 023 92 674343
E-mail: aftersales@ksrlighting.com