

# Qr GU10 Range

Fire Rated Downlights



## Product Information

The FireBreak Qr range of IP20 or IP65 downlights are the perfect for downlighting any areas including bathrooms using the optional IP65 bezel. Included in the range are IP20 Tilttable versions that are ideal for wall washing or highlighting areas. All fittings will take up to 10W GU10 retro fit LED lamps.

## Product Features

- 1 year warranty
- Class II
- 10W GU10 LED lamp maximum
- IP20 or IP65 downlights
- IP20 Tilttable downlights
- Fully tested for 30, 60 and 90 minute fire rated ceilings
- 6 colour bezel options
- Bezel and body purchased separately to save stock holding
- Lamp not supplied
- Ensure the LED lamp is suitable for use in enclosed cans

# Product Specification

| Product Code | Product Description                                  | Wattage (W) | Lamp Cap | Energy Efficiency Class | Protection Class | Pack Qty |
|--------------|------------------------------------------------------|-------------|----------|-------------------------|------------------|----------|
| KSRFRD400    | Fire Rated GU10 LED Downlight (Bezel not supplied)   | 10          | GU10     | varies                  | II               | 50       |
| KSRFRD401    | IP20 White Bezel for KSRFRD400 Downlight             |             |          |                         |                  | 10       |
| KSRFRD402    | IP20 Chrome Bezel for KSRFRD400 Downlight            |             |          |                         |                  | 10       |
| KSRFRD403    | IP20 Satin Chrome Bezel for KSRFRD400 Downlight      |             |          |                         |                  | 10       |
| KSRFRD404    | IP65 White Bezel for KSRFRD400 Downlight             |             |          |                         |                  | 10       |
| KSRFRD405    | IP65 Chrome Bezel for KSRFRD400 Downlight            |             |          |                         |                  | 10       |
| KSRFRD406    | IP65 Satin Chrome Bezel for KSRFRD400 Downlight      |             |          |                         |                  | 10       |
| KSRFRD407    | IP20 Black Bezel for KSRFRD400 Downlight             |             |          |                         |                  | 10       |
| KSRFRD408    | IP20 Brass Bezel for KSRFRD400 Downlight             |             |          |                         |                  | 10       |
| KSRFRD409    | IP20 Copper Bezel for KSRFRD400 Downlight            |             |          |                         |                  | 10       |
| KSRFRD410    | Fire Rated GU10 LED Downlight (Bezel not supplied)   | 10          | GU10     | varies                  | II               | 50       |
| KSRFRD411    | IP20 White Tilt Bezel for KSRFRD410 Downlight        |             |          |                         |                  | 10       |
| KSRFRD412    | IP20 Chrome Tilt Bezel for KSRFRD410 Downlight       |             |          |                         |                  | 10       |
| KSRFRD413    | IP20 Satin Chrome Tilt Bezel for KSRFRD410 Downlight |             |          |                         |                  | 10       |
| KSRFRD414    | IP20 Black Tilt Bezel for KSRFRD410 Downlight        |             |          |                         |                  | 10       |
| KSRFRD415    | Firebreak GU10 Qr Pro / Wiz Downlight Can            | 10          | GU10     | varies                  | II               | 10       |
| KSRFRD416    | Trimless Bezel for KSRFRD400 Downlight               |             |          |                         |                  | 10       |
| KSRFRD417    | IP20 Copper Tilt Bezel for KSRFRD410 Downlight       |             |          |                         |                  | 10       |
| KSRFRD418    | Firebreak Qr GU10 Convertor Plate White              |             |          |                         |                  | 1        |
| KSRFRD419    | IP65 Black Bezel for KSRFRD400 Downlight             |             |          |                         |                  | 10       |

Nominal voltage

220~240V

Operating frequency

50-60Hz

## Standards

BS EN 60598-1:2021 Luminaires – Part 1: General requirements and tests

## In Conformity with

|        |                                                 |
|--------|-------------------------------------------------|
| LVD    | Low voltage directive 2014/35/EU                |
| ERP    | Energy related products directive 2019/2020/EU  |
| RoHS   | Restriction of hazardous substances 2015/863/EU |
| Part E | Acoustic performance                            |
| Part B | Fire Safety                                     |
| Part C | Air & moisture transfer                         |

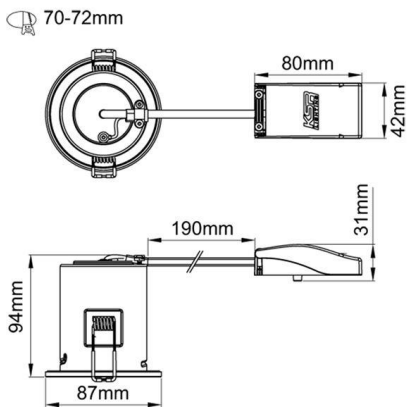
## Construction

|       |            |
|-------|------------|
| Body  | Steel Body |
| Bezel | Aluminium  |

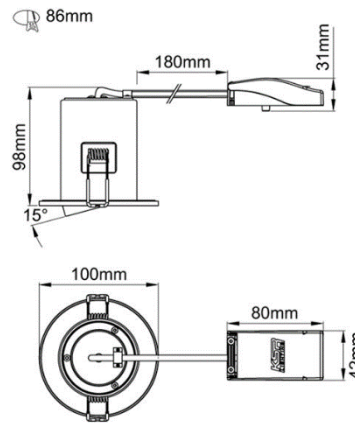
[www.ksrlighting.com](http://www.ksrlighting.com)

KSR Qr GU10 Range-DS – 14<sup>th</sup> July 2021

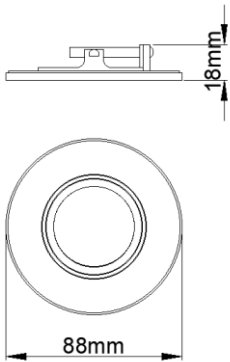
# Product Dimensions



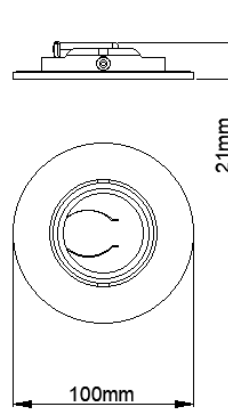
**KSRFRD400**



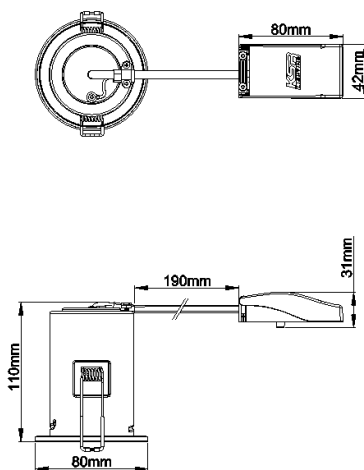
**KSRFRD410**



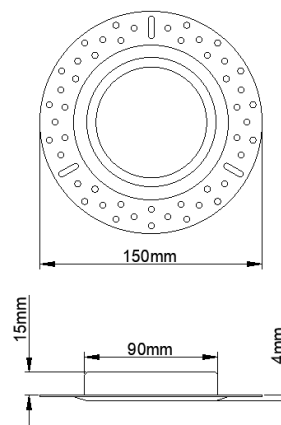
**KSRFRD401-03/407-09**



**KSRFRD411-14/417**



**KSRFRD415**



**KSRFRD416**

KSR Lighting is constantly developing and improving its products. For this reason, all product descriptions in this data sheet are intended as a general guide, and KSR may change specifications from time to time in the interest of product development, without prior notification or public announcement. All descriptions in this data sheet present only general particulars of the goods to which they refer and shall not form part of any contract. Data in this guide has been obtained in controlled experimental conditions. However, KSR Lighting cannot accept any liability arising from the reliance on such data to the extent permitted.